

17T1=L/R C-Brace DTO

EN Instructions for use (qualified personnel)	2
---	---

1 Foreword

INFORMATION

Date of last update: 2021-12-09

- ▶ Please read this document carefully before using the product and observe the safety notices.
- ▶ Instruct the user in the safe use of the product.
- ▶ Please contact the manufacturer if you have questions about the product or in case of problems.
- ▶ Report each serious incident in connection with the product, in particular a worsening of the state of health, to the manufacturer and to the relevant authority in your country.
- ▶ Please keep this document for your records.

The 17T1=* C-Brace diagnostic trial orthosis is referred to simply as the DTO, product or orthosis below.

These instructions for use provide you with important information on the use, adaptation and handling of the product.

Only put the product into use in accordance with the information contained in the accompanying documents supplied.

2 Scope of delivery

- 1 pc. 17T1=* C-Brace diagnostic trial orthosis
- 3 pc. each thigh and lower leg sleeves in sizes S, M and L
- 3 pc. each thigh and calf pads in sizes S, M and L
- 1 pc. forefoot plate, short
- 1 pc. lower leg base tube (less than 47 cm)
- 1 pc. compensating shoe
- 10 pc. lining stocking (one size)
- 1 pc. 647G1345 instructions for use
- 1 pc. 17KO1=* C-Brace knee joint
- 1 pc. 647G1337 instructions for use

3 Product description

The product consists of the following components:

Product overview (see Figure 1)			
Item number	Designation	Item number	Designation
1	Thigh sleeve	9	Ankle joint
2	Lower leg sleeve	10	Base tube
3	Compensating shoe	11	Lower adjustment unit
4	Compensation pad for thigh sleeve	12	Medial support
5	Thigh pad	13	17KO1=* C-Brace knee joint
6	Calf pads	14	Holder tube
7	Forefoot plate for foot component	15	Upper adjustment unit
8	3x closure straps	16	Lining stocking



4 Intended use

4.1 Indications for use

The DTO is intended **exclusively** for orthotic fittings of the lower limbs and may only be used in combination with the 17KO1=* C-Brace knee joint. The knee joint is adjusted by qualified personnel using an adjustment app, subject to the 647G1337 instructions for use.

The product is intended **exclusively** to verify the requirements for orthotic fittings with the C-Brace orthotronic mobility system. This product does not replace an orthosis!

4.2 Use/Field of Application

The product may **only** be used under the supervision of trained, qualified personnel, indoors or outdoors.

The patient must not be left unattended while wearing the product.

4.3 Conditions of use

Check the fit of the product each time after applying it. First-time users in particular have to learn how to handle the product. Donning and doffing, sitting, standing, walking and especially walking backwards require practice.

4.4 Indications

- Unilateral or bilateral leg paresis or flaccid paralysis

Indications must be determined by the physician.

4.5 Contraindications




- Flexion contracture in the knee and/or hip joint in excess of 10°
- Varus malposition in excess of 10° or valgus malposition in excess of 10°
- Severe spasticity
- Body weight over 125 kg / 275 lbs

4.6 Qualification of the O&P professional


Adapting the product to the patient and configuring settings may only be performed by qualified personnel authorised after completing the corresponding training.

5 Safety

5.1 Explanation of warning symbols


 WARNING	Warning regarding possible serious risks of accident or injury.
 CAUTION	Warning regarding possible risks of accident or injury.
 NOTICE	Warning regarding possible technical damage.

5.2 General safety instructions

 **CAUTION**


Incorrect adjustment or positioning of the product
Risk of injury due to falling

- ▶ Assembly, adjustment and maintenance operations may only be completed by qualified personnel.
- ▶ Observe the alignment, assembly and adjustment instructions.

 **CAUTION**


Mechanical damage to the product
Risk of injury due to change in or loss of functionality

- ▶ Use caution when working with the product.
- ▶ If the product is damaged, check it for proper function and readiness for use.
- ▶ In case of changes in or loss of functionality, do not continue using the product (see "Signs of changes in or loss of functionality during use" in this section).
- ▶ Take any necessary measures (e.g. repair, replacement, inspection by the manufacturer's customer service, etc.).

 **CAUTION**


Damaged electronic components
Electric shock due to contact with live components

- ▶ Check the product for damage (e.g. cable, housing) prior to each use while in a de-energised state.

 **CAUTION**


Reaching into the area of the joint mechanism
Pinching of limbs (e.g. fingers) and the skin due to uncontrolled joint movement

- ▶ Do not reach into the joint mechanism during daily use.
- ▶ Close attention is required during assembly and adjustment tasks.

 **CAUTION**

Incorrect or excessively tight application of the product to the body
Risk of pressure points and constriction of blood vessels and nerves due to improper application

- ▶ Ensure that the product is applied properly and fits correctly.
- ▶ Do not continue to use the product if there are problems with the correct fit.

 **CAUTION**

Contact with heat, embers or fire
Risk of injury (such as burns) and risk of product damage.

- ▶ Keep the product away from open flames, embers and other sources of heat.

⚠ CAUTION**Exposure of the product to unsuitable environmental conditions**

Patient injury, damage, brittleness or destruction due to improper handling

- ▶ Do not expose the product to condensing ambient humidity or liquids.
- ▶ Do not expose the product to abrasive substances (e.g. sand, dust).
- ▶ Do not expose the product to temperatures below **-10 °C** (14 °F) or above **+40 °C** (104 °F) (e.g. sauna, excessive sunlight, drying on a radiator).

⚠ CAUTION**Reuse on other persons and improper cleaning, disinfection**

Skin irritation, formation of eczema or infections due to contamination with germs

- ▶ The product may only be used on another person after thorough cleaning and disinfection.
- ▶ Clean the product regularly.

⚠ CAUTION**Trial walking without safety precautions**

Falling due to lack of patient experience or incorrect product adjustment

- ▶ For safety reasons, always have the patient take the first steps between parallel bars.

⚠ CAUTION**Unintended use of the product, trial walking without supervision by qualified personnel**

Risk of falling when the patient is left unattended while using the product

- ▶ For safety reasons, do not permit trial walking by the patient without the supervision of qualified personnel.

⚠ CAUTION**Hazard due to class 1 laser radiation**

Injuries of the eyes or skin due to laser light

- ▶ Do not look directly into the laser beam.
- ▶ Do not switch on the laser if the housing or the optic of the laser are damaged.
- ▶ Switch off the laser immediately if you notice any changes to the laser beam.
- ▶ Replace a damaged laser immediately.

⚠ CAUTION**Product contains a magnet**

Influence on or damage to devices or items due to a strong magnetic field

- ▶ Keep the product away from devices and items that are sensitive to magnetic fields.

6 Use

INFORMATION

Before each use, check the product for functional reliability and for possible wear or damage.

INFORMATION

The product contains a magnet

- ▶ Maintain a safety distance of at least **12 cm** from a pacemaker.

Handling and use of the product must be learned before using it for the first time.

Applying and removing, sitting down and standing up as well as walking must be practised.

6.1 Adaptation

INFORMATION

For hygienic reasons, **do not wear this product on the skin**. The supplied lining stocking or long trousers must be used for trial fitting. Ask the patient to pull the stocking over the leg. To avoid pressure points, make sure that the stocking is free of wrinkles. Reusing the orthosis on another patient without cleaning it is not permitted for hygiene reasons.

6.1.1 Determining patient measurements and selecting leg sleeves

Sizing chart Leg sleeves	Circumference in [cm]		
	S	M	L
Thigh sleeve	32 - 45	44 - 58	54 - 80
Lower leg sleeve	23 - 31	30 - 40	36 - 49



Measure the patient's thigh circumference and choose the suitable thigh sleeve according to the table.



Measure the patient's calf circumference and choose the suitable lower leg sleeve according to the table.



To determine the length of the base tube, measure the lower leg length from the MTP to the floor.



Measure the shoe length.

6.1.2 Changing the leg sleeve on the adjustment unit

The illustrations show the process using the thigh sleeve as an example. Replace the lower leg sleeve the same way.



INFORMATION: The wrench symbol on the adjustment unit symbolises which of the two nuts must be removed and in what direction to pull off the unit.

Thigh unit
= pull off forward
Lower leg unit
= pull off backward

Loosen the front nut on the upper adjustment unit with a **T 25** Torx wrench.



Remove the nut.



Pull the thigh sleeve with the adjustment unit off the orthosis **to the front**.



Loosen the two screws of the adjustment unit with a **T 25** Torx wrench and take it off the thigh sleeve.



Mount the replacement leg sleeve with the adjustment unit in the neutral position (centre bores).

Optional: Use the left or right bores on the adjustment unit for the patient-specific alignment of the product (also see the section "Fine-tuning the adjustment units").

Tighten the screws to a tightening torque of **4 Nm**.



Set the adjustment unit with the thigh sleeve onto the frame structure.

In doing so, insert the magnetic cylinder pins into the sleeve holder and simultaneously align according to the slotted hole of the adjustment unit.



Put on the nut and tighten it with a **T 25** Torx wrench to a tightening torque of **4 Nm**.

6.1.3 Transferring patient measurements to the DTO



INFORMATION: The forefoot plate is available in 2 sizes (small and large). One size is pre-installed in the orthosis and the other size is included in the scope of delivery.

Loosen the three screws on the forefoot plate with a **T 20** Torx wrench.



INFORMATION: If the foot length is adjusted incorrectly, the function of the joint will be impaired.

Shift or replace the forefoot plate.

In case of replacement, remove the three screws and insert the replacement plate into the foot component.

Adjust to the patient's shoe length measurement.

The flexible section of the forefoot plate should be between the ball of the big toe and the tip of the toe.

Tighten the 3 screws using the Torx wrench.



INFORMATION: The lower leg base tube is available in 2 lengths, small (less than 47 cm) and large. The scale on the base tube indicates the different lengths. One size is pre-installed in the orthosis and the other size is included in the scope of delivery.

Loosen the lower leg base tube screw with a **T 25** Torx wrench.



Transfer the "MTP-floor" length measurement to the orthosis and adjust to the patient's lower leg length.

Use a **T 25** Torx wrench to tighten the screw to a tightening torque of **6 Nm**.



In case of replacement, pull the base tube off the holder tube of the orthosis.



Loosen the two screws on the ankle joint with a **T 25** Torx wrench.



Mount the replacement base tube on the ankle joint with the two screws and tighten to a tightening torque of **6 Nm**.



Then insert the base tube into the holder tube of the orthosis.
Transfer the "MTP-floor" length measurement to the orthosis and adjust to the patient's lower leg length. Tighten the screw on the holder tube to a tightening torque of **6 Nm**.

6.1.4 Putting on the compensating shoe



Position the patient's shoe in the compensating shoe starting with the heel.



Close all straps, one after the other, in the following sequence: ankle > instep > forefoot.



Optional: Adjust the fit of the shoe in the compensating shoe by tightening the straps or with pads.

6.1.5 Optional: putting on pads

INFORMATION: The pads are comfort pads. Do not cut off or otherwise shorten the pads! The O&P professional can individually adapt the fit to the patient by adding additional padding (e.g. Plastazote).

The illustrations that follow show the application of the calf pad.

There is a folding flap on the calf pad. This flap protects against compression by the lower leg sleeve and prevents the pad from sliding out of the sleeve.



Apply the pad to the lower leg from posterior to anterior and fasten the hook-and-loop closure, positioning the folding flap posterior over the calf at the same time.



Fold the flap up.

The illustrations that follow show the application of the thigh pad.



INFORMATION: The thigh pad has two additional hook-and-loop patches to secure the thigh pad on the thigh sleeve.

Apply the pad to the thigh with the two hook-and-loop patches facing up.



Fasten the hook-and-loop closure on the thigh pad.

6.1.6 Product application and patient-specific adjustment

- **Prerequisite:** The patient is sitting on a chair.
- **Prerequisite:** The product is extended in the knee joint.
- **Prerequisite:** All closures and straps are open.
- **Prerequisite: Optional:** All pads have been applied.



INFORMATION: The use of the clamp fasteners is illustrated using the thigh sleeve as an example.

Open the clamping lever to the left (see illustration, top). Pass the toothed belt through the corresponding clamp fastener and close the clamping lever to the right (see illustration, bottom).

Be sure to close the clamping levers carefully.

Clamp fasteners:

up = open

down = closed



Apply the product, extended in the joint, to the patient. First position the heel and then the foot in the foot component.



Position the lower leg sleeve over the optional calf pad or over the lower leg.



Pass the toothed belt through the clamp fastener. Tighten the toothed belt until the shell lies snug against the lower leg. Close the clamp fastener.

Be sure to close the clamp fasteners carefully.



Fold the flap of the optional calf pad over the lower leg sleeve.



Fasten the closure straps on the foot component.

INFORMATION: The foot component of an existing orthosis can be used. Unscrew the foot component of an existing orthosis and use it, taking the height compensation into account.



Tighten or loosen the heel tension strap of the foot component to adjust the position of the foot in the foot component in the A-P direction.



Optional: Install a lateral or medial pad for better fixation of the foot in the foot component.



Fasten the closure straps on the foot component.



Check the position of the orthosis ankle joint relative to the patient's ankle joint.

Aligning the orthosis pivot point to the user's knee pivot point

- **Prerequisite:** The patient is sitting on a chair.
- **Prerequisite:** The product is extended in the knee joint.



INFORMATION: The laser marks the mechanical pivot point of the orthosis and provides better orientation to determine the position of the orthosis joint relative to the anatomical compromise pivot point according to Nietert on the knee joint.

Turn on the laser on the back of the knee joint holder.



Palpate the MTP on the patient.



Loosen the screw connection on the holder tube with a **T 25** Torx wrench and adjust the height.

Slide the holder tube up or down until the anatomical compromise pivot point is reached.

When the patient-specific position is reached, tighten the screw connection on the holder tube. Observe the tightening torque of **6 Nm**.



Check the opening in the hollow of the knee and adjust it to the patient by shifting the adjustment unit.



Explanation of the arrows on the adjustment unit:

- ‡ distal/proximal – height adjustment,
- ↔ anterior/posterior – lateral adjustment.

Loosen the two screws on the clamp adapter with a **T 25** Torx wrench, noting the direction arrows ‡ distal/proximal on the clamp adapter.

Adjust the height and tighten the two screws on the clamp adapter of the adjustment unit to **4 Nm** with a Torx wrench. Note the direction arrows (‡ distal/proximal).



The optimum fit is approx. **2 to 3 cm** or **2 finger widths** below the hollow of the knee.



INFORMATION:

For adjustment and to find the pivot point, the lower leg sleeve can be shifted in the A-P (anterior/posterior) direction relative to the holder tube.

Loosen the two screws on the clamp adapter of the adjustment unit marked with ↔ anterior/posterior using a **T 25** Torx wrench.



Slide the lower leg sleeve in the A-P direction until the laser points at the compromise pivot point.

Then tighten the two screws on the clamp adapter of the adjustment unit with a **T 25** Torx wrench to a tightening torque of **4 Nm**, taking note of the direction arrows (↔ anterior/posterior).

Adjusting the angle of the lower leg sleeve

- **Prerequisite:** The patient is sitting on a chair.
- **Prerequisite:** The product is extended in the knee joint.



The lower leg sleeve has to evenly contact the tibia edge.

The distance between the lower leg sleeve and tibia edge is too large; therefore, adjust the angle of the leg sleeve.



Loosen the two nuts (front and rear) on the carriage of the adjustment unit using a **T 25** Torx wrench.



By slightly swivelling the adjustment unit, position the lower leg sleeve according to the patient, making sure the leg sleeve is form fitted to the tibia.

Tighten the two nuts of the adjustment unit to a tightening torque of **4 Nm**.

Check the fit of the lower leg sleeve in the hollow of the knee and readjust it if needed.

Applying and adjusting the thigh sleeve

- **Prerequisite:** The patient is sitting on a chair, **close to the edge**.
- **Prerequisite:** The product has been applied to the patient's lower leg.
- **Prerequisite:** The clamp fastener on the lower leg sleeve is open.
- **Prerequisite: Optional:** The thigh pad has been applied.
- **Prerequisite:** The thigh sleeve has been mounted on the adjustment unit.
- **Prerequisite:** The clamp fasteners of the thigh sleeve are open.
- **Prerequisite:** The product is flexed in the knee joint.



Pass the thigh sleeve around the leg from lateral to medial, laying the two leg sleeve flaps over each other in doing so.



Pass the two toothed belts through the respective corresponding clamp fasteners and close them, tightening them until the sleeve fits evenly along the thigh. Carefully fasten the closures and make sure they engage.

Clamp fasteners:

up = open

down = closed

INFORMATION: If patient-specific adjustment as described is not possible, the sleeves can be loosened or separated from the adjustment unit and subsequently screwed to the orthosis again.



Attach the two hook-and-loop patches of the optional thigh pad to the thigh sleeve.

Check all screw connections of the adjustment unit and tighten them in the sitting position.



Note the settings for the 17KO=1* knee joint.

See the accompanying documentation, 647G1337 instructions for use!



Have the patient stand up between parallel bars or with support, making sure the patient stands safely. Check the load line on the L.A.S.A.R. Posture. Check the fit of the leg sleeves and adjust them to the patient.

INFORMATION

Ottobock recommends checking the alignment of the orthosis using the L.A.S.A.R. Posture or L.A.S.A.R. Posture 3D and adapting it as needed.

Adjusting the ankle joint

- **Prerequisite:** The patient is standing with support or securely between parallel bars.
- **Prerequisite:** The product has been applied to the patient's leg.



Adjust the function of the 17LA3N ankle joint to the patient. Adjust the dorsal stop anterior with a **T 30** Torx wrench.



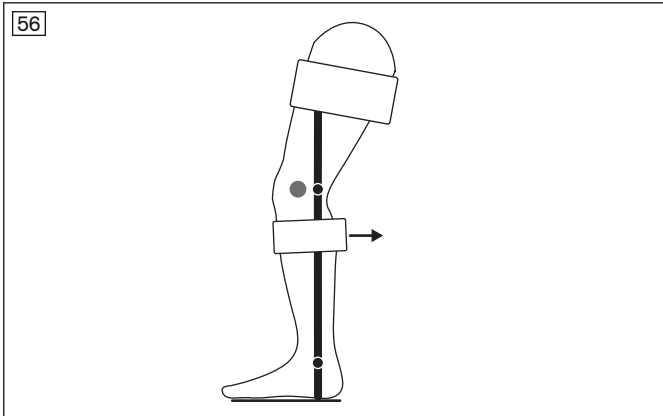
Adjust the dorsiflexion function posterior with a **T 30** Torx wrench.

Fine-tuning the adjustment units

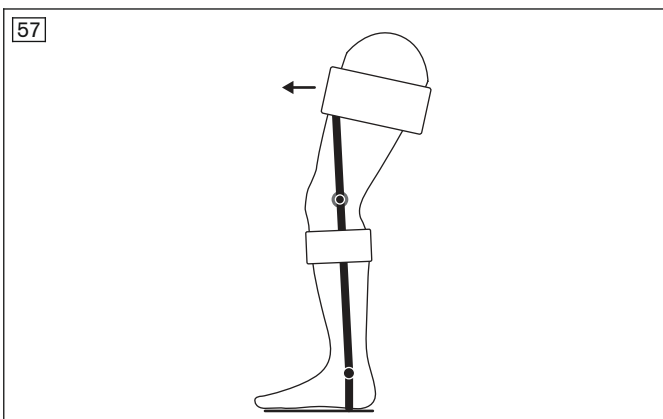
- **Prerequisite:** The patient is standing with support or securely between parallel bars.
- **Prerequisite:** The product has been applied to the patient's leg.

INFORMATION: The sagittal position (A-P) of the leg can be adjusted by shifting the leg sleeves with the adjustment unit.

The orthosis is extended and the leg is flexed.

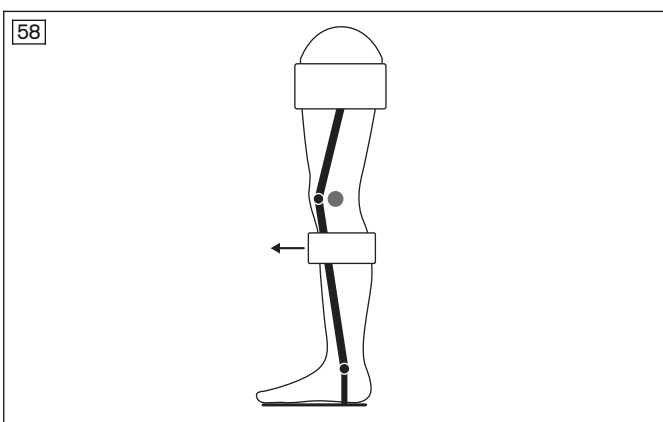


The knee pivot points do not match.
Shift the lower leg sleeve to posterior.

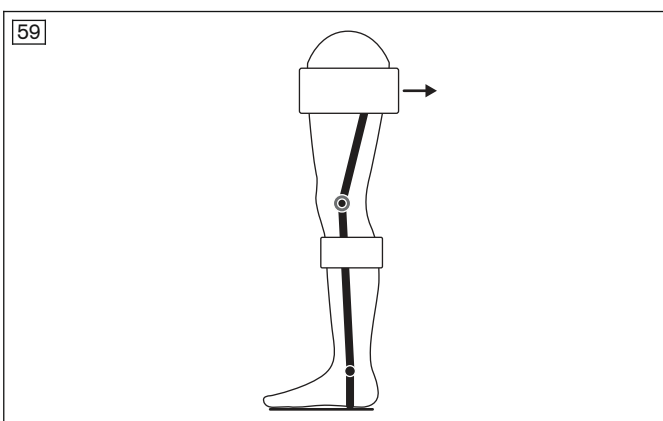


The knee pivot points match.
Shift the thigh sleeve to anterior.

The orthosis is flexed and the leg is extended.

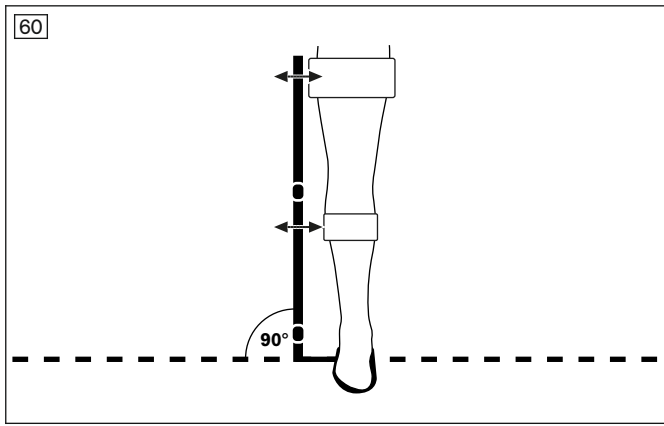


The knee pivot points do not match.
Shift the lower leg sleeve to anterior.



The knee pivot points match.
Shift the thigh sleeve to posterior.

INFORMATION: The leg position can be optimised by shifting the leg sleeves in the M-L direction with the adjustment unit.



During the patient fitting, ensure that the holder tube of the DTO is as close to perpendicular (90°) to the floor as possible.

Adjusting the thigh module



Loosen the two screws on the clamp adapter of the adjustment unit with a **T 25** Torx wrench. Note the direction arrows (‡ distal/proximal).



Shift the adjustment unit according to the patient (‡ distal/proximal). Then tighten the two screws on the clamp adapter of the adjustment unit with a **T 25** Torx wrench to a tightening torque of **4 Nm**, taking note of the direction arrows (‡ distal/proximal).



Loosen the two screws on the clamp adapter of the adjustment unit with a Torx wrench, taking note of the direction arrows (↔ anterior/posterior).



Shift the thigh unit according to the patient.

INFORMATION: Shifting the thigh module to anterior causes greater extension of the thigh relative to the knee pivot point.

Tighten the two screws on the clamp adapter of the adjustment unit with a Torx wrench to a tightening torque of **4 Nm**, taking note of the direction arrows (↔ anterior/posterior).



To tilt the thigh sleeve, loosen the two nuts on the adjustment unit.



Align the thigh sleeve on the patient's leg by tilting the adjustment unit.

Tighten the two nuts on the adjustment unit to a tightening torque of **4 Nm**.



Check the position and fit of the thigh sleeve.



Optional: Position the compensation pad in the thigh sleeve for a good form fit in the sleeve. The curve faces towards the buttocks.



Fully insert the compensation pad from above.

Adjusting the lower leg module



Complete the process steps for the lower leg adjustment unit similar to the thigh adjustment unit. Loosen the two screws and note the arrow direction.



Shift the adjustment unit, taking note of the individual particularities of the patient and their body.



Then tighten the two screws again to **4 Nm**.

Shifting the adjustment unit in the medio-lateral direction

INFORMATION: The adjustment unit can be shifted in the M-L (medio-lateral) direction to follow the varus/valgus position of the leg.



If necessary, the distance of the adjustment unit between the holder tube and leg sleeve can be adjusted.

Loosen the two lateral nuts on the carriage of the adjustment unit with a **T 25** Torx wrench.



The illustration shows the possible horizontal shift in the M-L direction.



Incorrect position:

The adjustment unit is tipped and the components may jam.



Correct position:

Lift the adjustment unit and position it parallel to the leg sleeve.

Tighten the two lateral nuts on the carriage of the adjustment unit with a **T 25** Torx wrench to a tightening torque of **4 Nm**.

DTO applied to the patient and correctly aligned



Due to the M-L shifting of the adjustment unit, the leg axis is readily apparent.



Optimum A-P alignment.



Align the holder tube as close to perpendicular (90°) to the floor as possible.

6.2 Application

Note the 647G1337 instructions for use of the 17KO1=* C-Brace knee joint.

- 1) Sit on the front edge of a chair.
- 2) Put the lining stocking onto the leg or use long trousers.
- 3) Put on the compensating shoe.
- 4) **Optional:** Put on the calf and thigh pads.
- 5) Open all clamp fasteners of the thigh and lower leg sleeves.
- 6) Open all hook-and-loop closures of the foot component.
- 7) The knee joint of the DTO is extended.
- 8) Insert the foot with the shoe into the foot component. In doing so, position the lower leg in the lower leg sleeve.
- 9) Close the hook-and-loop closures of the foot component.
- 10) Extend the knee joint and apply the DTO to the thigh and lower leg.
- 11) Close the clamp fasteners of the thigh and lower leg sleeves.
- 12) Get up off the chair.
- 13) **Optional:** Retighten all closures.
- 14) Check the correct fit of the DTO.

6.3 Removal

Note the 647G1337 instructions for use of the 17KO1=* C-Brace knee joint.

- 1) Sit on a chair.
- 2) Open the clamp fasteners on the lower leg and thigh sleeves.
- 3) Open the hook-and-loop closure on the foot component and get out of the foot component.
- 4) Open the hook-and-loop closure on the compensating shoe and get out of the shoe.
- 5) Take the DTO off to the side.
- 6) Extend the DTO in the knee joint and fasten the closures.
- 7) Set the DTO aside.

7 Cleaning

- 1) Clean the product with a damp cloth and mild soap (e.g. Ottobock 453H10=1 Derma Clean) when needed. Ensure that no liquid penetrates into the system component(s).
- 2) Dry the product with a lint-free cloth and allow it to air dry fully.

8 Disinfection

- Prior to use on another user, clean the product with a colourless, alcohol-free disinfectant.
- Wipe all parts of the product with a disinfectant.

9 Disposal

Return the product to the manufacturer for disposal.

10 Legal information

All legal conditions are subject to the respective national laws of the country of use and may vary accordingly.

10.1 Liability

The manufacturer will only assume liability if the product is used in accordance with the descriptions and instructions provided in this document. The manufacturer will not assume liability for damage caused by disregarding the information in this document, particularly due to improper use or unauthorised modification of the product.

10.2 CE conformity

The product meets the requirements of Regulation (EU) 2017/745 on medical devices. The CE declaration of conformity can be downloaded from the manufacturer's website.

11 Appendices

11.1 Symbols Used



Declaration of conformity according to the applicable European directives



Please note the instructions for use

SN|YYYY WW NNN

Serial number

LOT|PPPP YYYY WW

Lot number



Legal manufacturer



Medical device

11.2 Technical data

General information	
Reference number DTO for left side	17T1=L
Reference number DTO for right side	17T1=R
Weight DTO (without joint unit)	approx. 3.6 kg
Maximum patient weight	125 kg
Product service life	6 years
Ambient conditions	
Storage and transport in original packaging	-25 °C to +70 °C
Storage and transport without packaging	-10 °C to +40 °C non-condensing

C-Brace DTO – user test protocol (template for copying)

Date: _____ Employee: _____

Last name: _____ First name: _____

Age: _____ male female

Diagnosis: _____

Test side: right left**Key patient objectives:** (what does the patient expect of the product)

1. _____

2. _____

☹ Patient does not yet meet the goal

☺ Patient partly meets the goal

☺ Patient meets the goal reliable

Functional tests	☹	☺	☺	Comments
Independent transfer				
Torso stability, sitting (free upright sitting possible)				
Torso stability, standing (standing upright possible)				
Standing freely (without support)				
Standing freely with upper body activity and arm movements				
Standing on one leg, affected side				
Standing on one leg, contralateral side				
Swing phase	☹	☺	☺	Comments
Initiating the swing phase in lunge position				
Initiating the swing phase while walking				
Stance phase	☹	☺	☺	Comments
Sitting down with the use of stance phase flexion damping				
Sliding into stance phase flexion while standing				
Walking	☹	☺	☺	Comments
Between parallel bars				
With unilateral support around parallel bars				
Walking with 2 forearm crutches				
Walking with 2 forearm crutches turned around (2 canes)				
Walking with 1 forearm crutch or 1 cane				
Walking without device				
Uniform step length				
Walking on various surfaces				
Walking at different walking speeds				



A series of horizontal lines spanning the width of the page, providing a template for writing or drawing.



Ottobock SE & Co. KGaA
Max-Näder-Straße 15 · 37115 Duderstadt · Germany
T +49 5527 848-0 · F +49 5527 848-3360
healthcare@ottobock.de · www.ottobock.com