

Genium X3– Bionic Prosthetic System 3B5-X3/3B5-X3=ST

Information and Safety Signals

Information for Practitioner



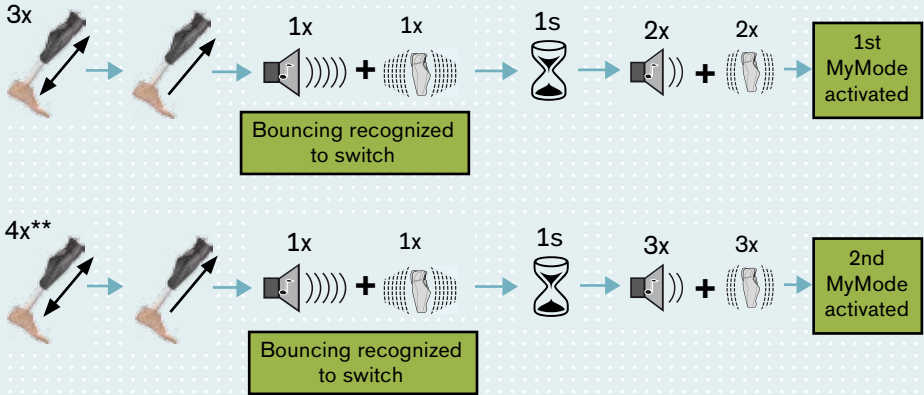
INFORMATION

This brochure does not replace the detailed information on the handling and safety of your product provided in the instructions for use. Please be sure to read the 647G764 Instructions for Use (Qualified Personnel) attentively!

Genium X3 – Bionic Prosthetic System

Note: When the mute mode is active, all vibration and beep signals are disabled.

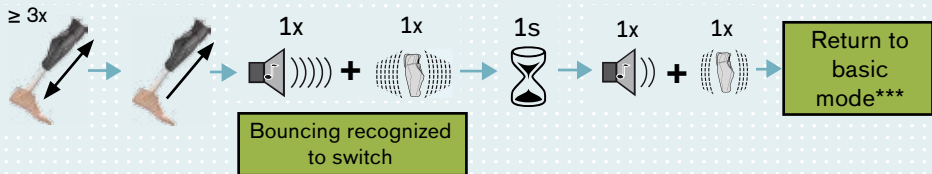
Beep signal after bouncing up and down* in basic mode



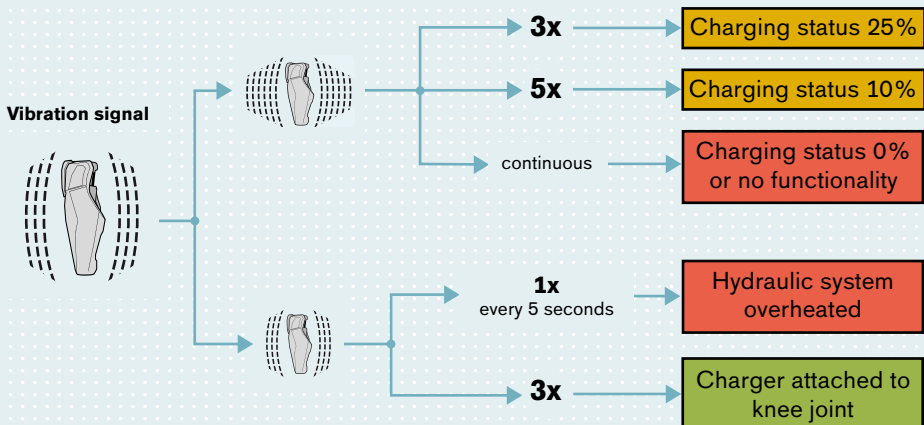
* switching by bouncing up and down has to be activated in X-Soft

** 4x bouncing up and down has to be activated in X-Soft

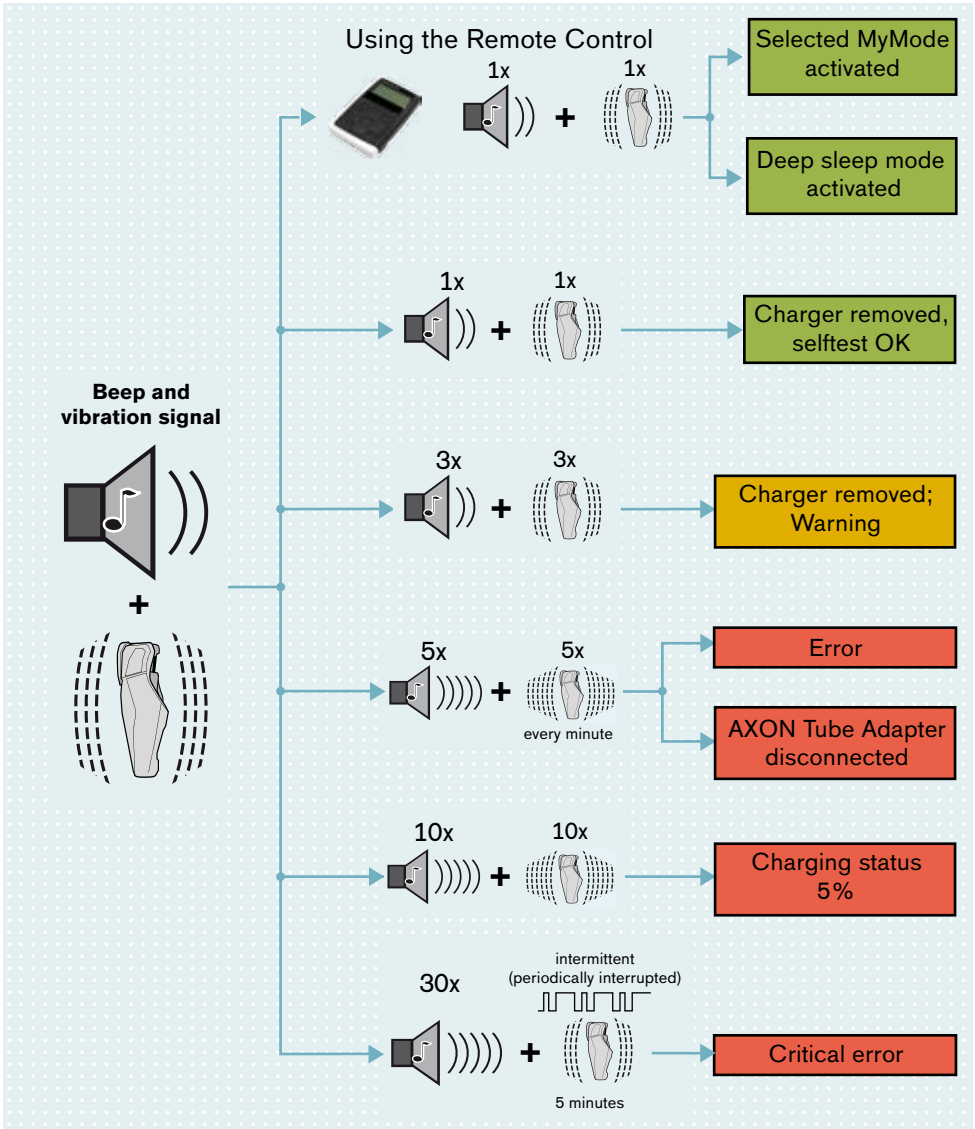
Beep signal after bouncing up and down in MyMode



*** return to basic mode is also possible by attaching the charger



Information and Safety Signals



Symbols used:



short
beep signal



short
vibration signal



long
beep signal



long
vibration signal

Colours used:

Information

no action required

Warning

action required soon

Error

action required immediately

Note: For further information see back of this brochure

Type of error	Event	User restriction	Required action
Warning	e.g. service interval has expired	No restriction	Consult Ottobock
Hydraulic system overheated	Overheating of the hydraulic unit e.g. due to uninterrupted, increased activity	Reduced activity	Allow the hydraulic unit to cool down by reducing activity
Error	e.g. a sensor (tube adapter, triple sensor, ...) is not operating ----- Selftest failure (if signals occur after removing the charger)		Restart the knee joint by attaching and removing the inductive charger (up to three times); If error remains, consult Ottobock immediately
AXON Tube Adapter disconnected	AXON Tube Adapter has been disconnected while the knee joint is activated and the inductive charger is not attached ----- AXON Tube Adapter not connected while removing the inductive charger	Walking possible with restrictions	Connect the AXON Tube Adapter
Critical error	e.g. failure of the valve drive ----- Selftest failure (if signals occur after removing the charger)	High stance resistance Swing phase no longer possible	Restart the knee joint by attaching and removing the inductive charger (up to three times); If error remains, consult Ottobock immediately
Charging Status 0%	No electronic functionality	Activation of safety mode	Charging required
No functionality		Swing phase no longer possible	Consult Ottobock immediately
Error code on the display of the Remote Control			Consult Ottobock immediately (Error code number required)

If assistance is required during the start-up, use or maintenance of the product, as well as in the event of unexpected operating behaviour or circumstances, contact the Ottobock office responsible for your country.

