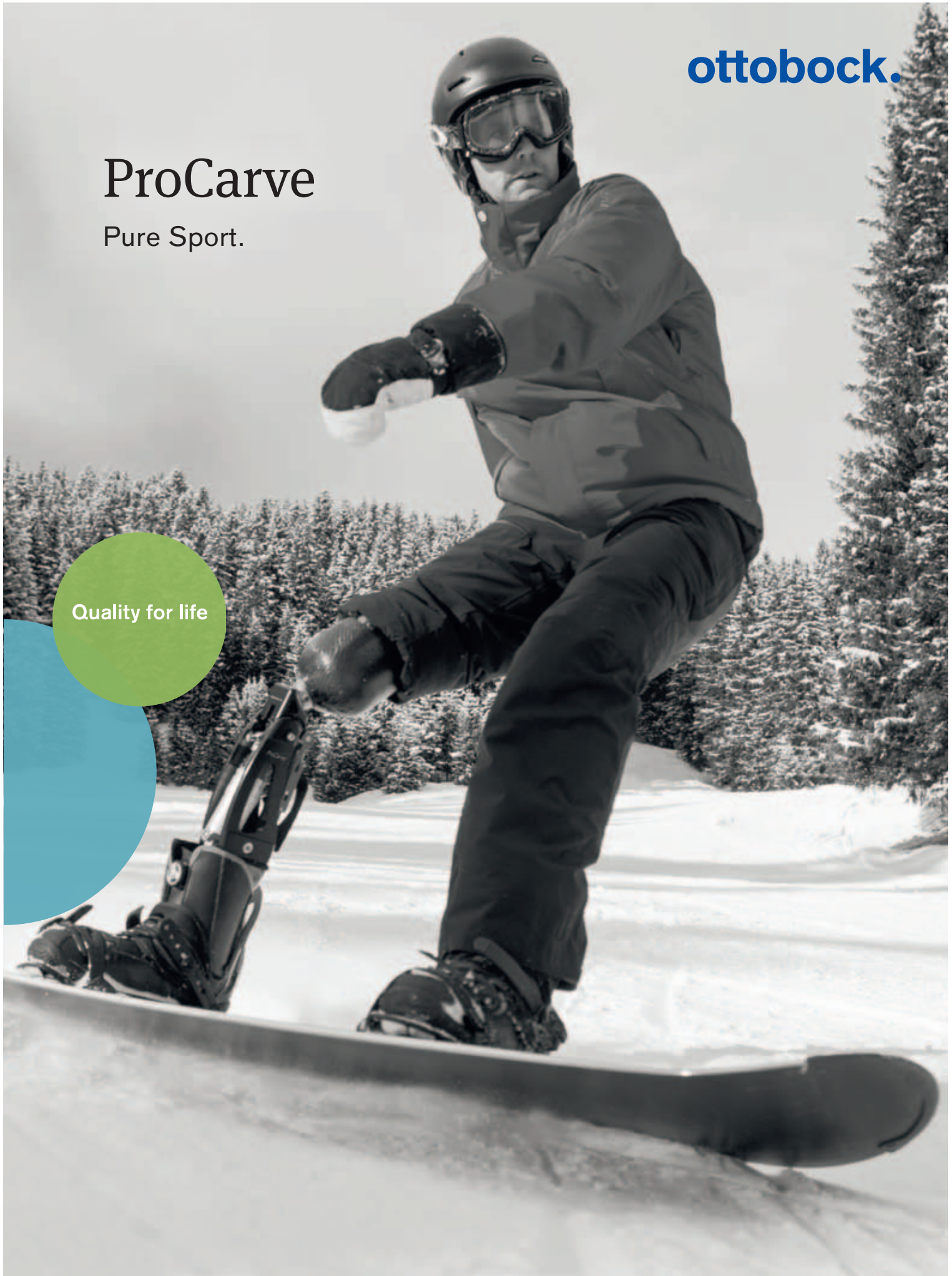


ottobock.

# ProCarve

Pure Sport.

Quality for life



# ProCarve

## 1 3R2 ProCarve Prosthetic Knee Joint

The ProCarve sports prosthetic system includes a mono-centric, aluminium sports knee equipped with a high-performance hydraulic damping element and a disengagement function to make sitting down more comfortable. The damping element – a combination of a pneumatic spring and a hydraulic unit – ensures dynamic movement. The individually adjustable air pressure controls the flexion movement and the hydraulics dampen the extension movement.

When re-engaged, the flexion angle is limited to 67°. In order to sit down, the user can bend the knee joint easily without damping simply by pulling on the attached belt. The maximum flexion angle when disengaged is 80°. Together with the ProCarve foot component, this provides a targeted and coordinated system solution for users with an above-knee amputation or knee disarticulation.

## 2 1E2/1E2=1 ProCarve Prosthetic Foot

The ProCarve foot can be used as an independent unit or in combination with the ProCarve knee joint. It is connected directly to the ski binding or combined with a footshell that has a shape suited especially for snowboard boots.

Like the ProCarve knee, the foot includes a high-performance, robust damping unit for controlling the movement around the pivot point. The function and the adjustment options are the same as for the damping unit in the knee joint.

A second version of the foot (1E2=1) offers increased stiffness, from which advanced riders with below-knee amputation can profit the most.

## 3 4G901 Footshell

Shaped for snowboard boots.

## 4 755Y68 High-Pressure Air Pump

For adjusting the air pressure.

## 5 4G115 Blocking Clip

Blocks damping function for easier walking.



## Technical data

<b>Max. body weight</b>	100 kg
<b>Sizes</b>	One size
<b>Weight</b>	Knee: 1,990 g Foot: 1,550 g
<b>System height</b>	Knee: 241 mm Foot: 120 mm (with attachment for ski binding) 103 mm (with footshell)
<b>Supported sports</b>	Downhill skiing, snowboarding and other sports with similar motions, such as wakeboarding or waterskiing
<b>Scope of delivery</b>	Foot pads with soles for the ski binding, footshell for snowboard boots, high-pressure air pump, blocking clip

The ProCarve sport prosthesis is a great solution for recreational and professional athletes with lower limb amputations. The dampened knee and foot system creates targeted and coordinated functionality for skiing, snowboarding and other sports with similar motions such as wakeboarding or waterskiing. The foot and knee combination is suitable for knee disarticulation and above-knee amputees, while below-knee amputees can take advantage of the ProCarve foot component.

### Advantages

- Balanced, fluid controlled system for skiing, snowboarding and other sports with similar motions
- High-performance damping units
- Disengagement function for comfortable sitting down (e.g. ski-lift)
- Sturdy, wear-resistant and water proof

# ProCarve fax order form

Fax order to your Ottobock representative.

Customer		Shipping address (if different from customer address)	
Customer no.	<input type="text"/>	Customer no.	<input type="text"/>
Name of company	<input type="text"/>	Name of company	<input type="text"/>
Street	<input type="text"/>	Street	<input type="text"/>
Postal code/city	<input type="text"/>	Postal code/city	<input type="text"/>
Phone number	<input type="text"/>	Phone number	<input type="text"/>
Prosthetist/orthotist	<input type="text"/>	Patient name	<input type="text"/>

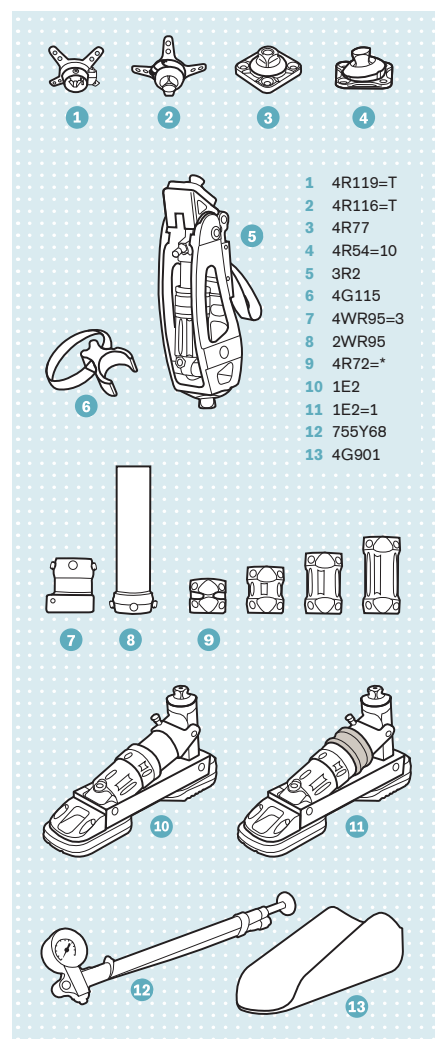
Please check off the required components and specify the order quantity.

The 3R2 ProCarve Knee can only be ordered in combination with the 1E2/1E2=1 ProCarve Foot. The 1E2/1E2=1 ProCarve Foot can be used as an independent unit in the case of a below-knee amputation.

The 4G901 Footshell and 755Y68 High-Pressure Air Pump are included in the scope of delivery of the foot; the 4G115 Blocking Clip is included in the scope of delivery of the knee.

Quantity	Article number	Description
<input type="checkbox"/>	<b>3R2</b>	ProCarve prosthetic knee
<input type="checkbox"/>	<b>1E2</b>	ProCarve prosthetic foot, standard version
<input type="checkbox"/>	<b>1E2=1</b>	ProCarve prosthetic foot, stiffer version
<input type="checkbox"/>	<b>4R119=T</b>	Lamination anchor with pyramid receiver, rotatable, corrosion resistant
<input type="checkbox"/>	<b>4R116=T</b>	Lamination anchor with pyramid adapter, rotatable, corrosion resistant
<input type="checkbox"/>	<b>4R77</b>	Socket adapter with pyramid adapter, rotatable
<input type="checkbox"/>	<b>4R54=10</b>	Socket adapter with pyramid adapter, angled at 10°
<input type="checkbox"/>	<b>4R72=32</b>	Double adapter
<input type="checkbox"/>	<b>4R72=45</b>	Double adapter
<input type="checkbox"/>	<b>4R72=60</b>	Double adapter
<input type="checkbox"/>	<b>4R72=75</b>	Double adapter
<input type="checkbox"/>	<b>4WR95=3</b>	Tube clamp adapter
<input type="checkbox"/>	<b>2WR95</b>	Tube adapter

## ProCarve system overview



Date ..... Place ..... Signature .....



Otto Bock HealthCare GmbH  
Max-Näder-Str. 15 · 37115 Duderstadt/Germany  
T +49 5527 848-1706 · F +49 5527 72330  
export@ottobock.de · www.ottobock.com