
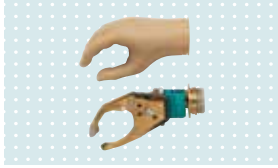








# MyoBock Basic System Options – Transradial Fittings



## Terminal Devices

SensorHand Speed	MyoHand Variplus Speed	Size 7 Hand	Transcarpal Hand	VariPlus Greifer
				
AutoGrasp · senses slippage of objects being held · 6 programs · 22 lbs grip	No AutoGrasp · 22 lbs grip · 6 programs	Smallest hand · small adults · adolescents · 22 lbs grip	Minimal clearance required · 22 lbs grip	Work activities · 35.97 lbs grip
8E38=8 L/R size	8E38=9 L/R size	8E38=6 L/R 7 8E38=7 L/R 7	8E44=6 L/R size 8E44=7 L/R size	8E33=9



## Wrists

Quick Disconnect	Powered Rotation	MyoWrist Flex
		
· Passive pro/sup · Allows exchange of terminal devices · Use with: standard hands size 7 hand Greifer	· Powered pro/sup · Use along with 13E205 myorotronic for myo control	· Allows passive flex/extension · 5 lock positions
3 components · 10S1 · 10S4 · 9E169	3 components: · 10S1 · 10S17 · 13E205	Add "F" to article # for: · SensorHand Speed · MyoHandVariplus Speed · Transcarpal Hand

## Batteries

External*	Internal
 Interchangeable Lithium Ion	 Integrated Lithium Ion
800mAh = 757B21 900 mAh= 757B20	600mAh = 757B35=1 1150mAh = 757B35=3

## Electrodes

Standard*	Suction*
	
· Same function as standard electrode · allows sealing of the electrode	
13E200=60	13E202=60

\*Additional and necessary parts such as wires, connectors, battery receptacles, etc. are not listed here, but will be discussed by Customer Service at the time orders are placed.