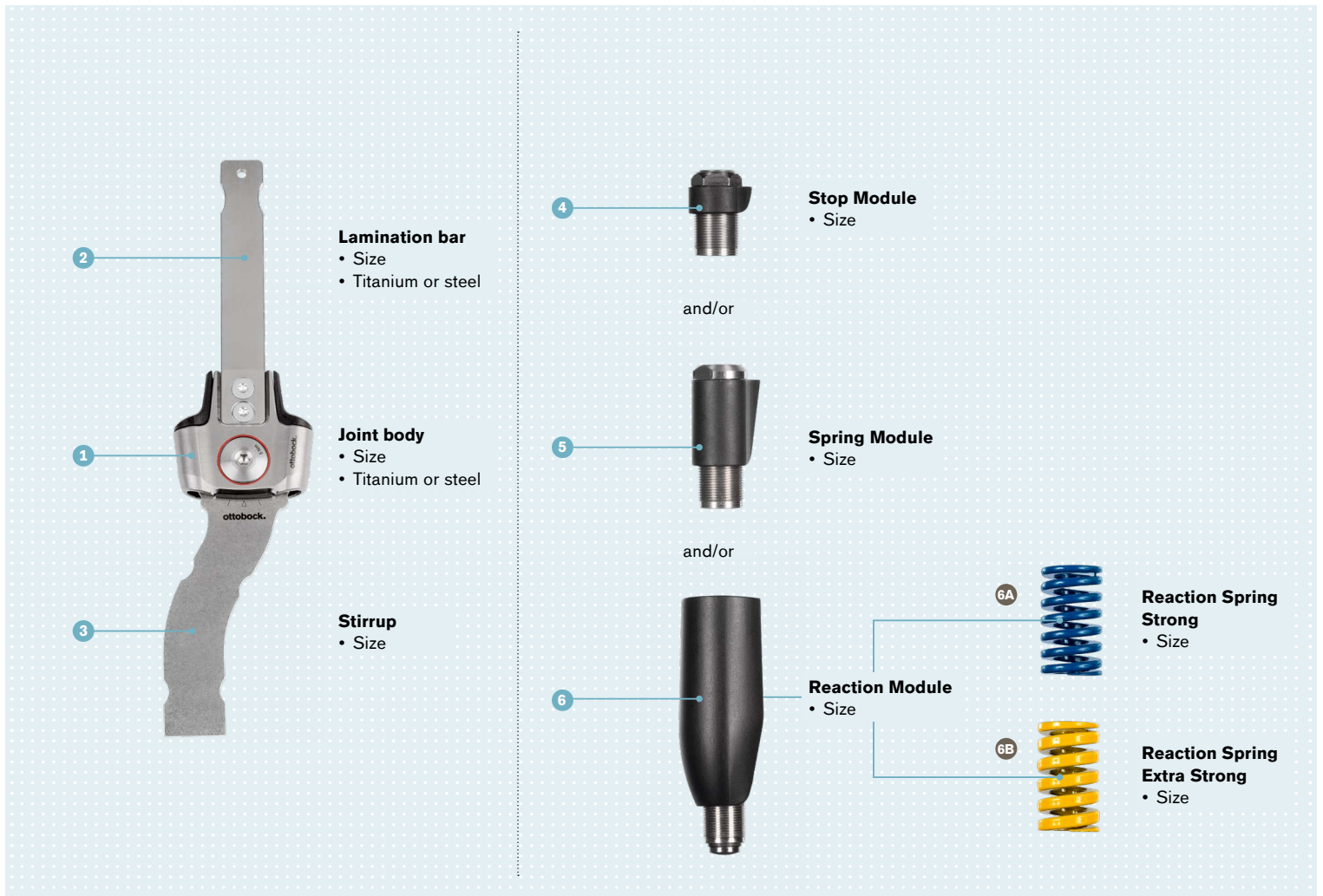


Nexgear Tango

17AD100 | Selecting and ordering



Nexgear Tango

Order form

Company	<input type="text"/>	Date	<input type="text"/>
Technician	<input type="text"/>	Signature	<input type="text"/>
Customer no.	<input type="text"/>		

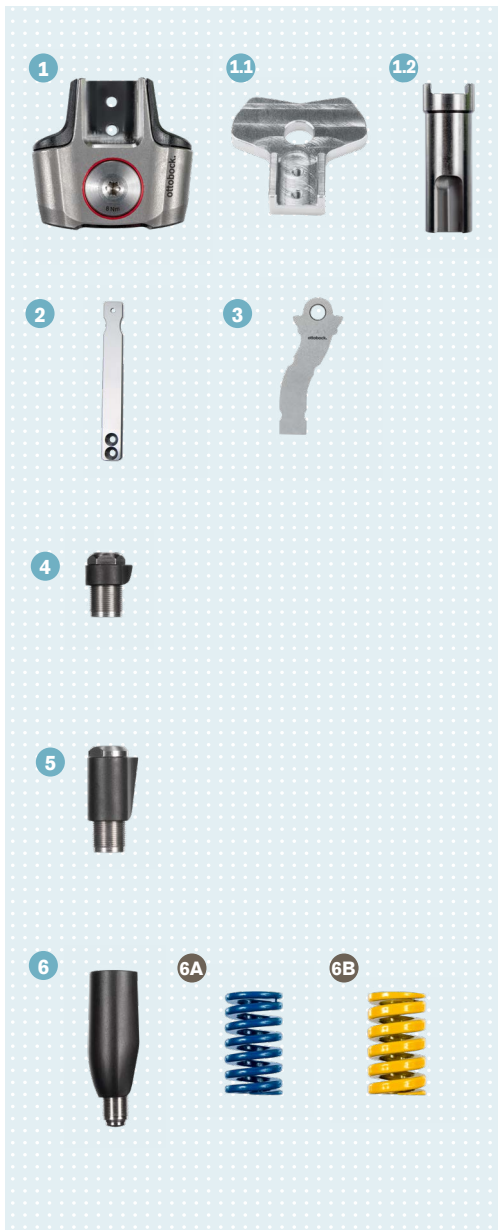
User Information

Full Name Weight

Age Indication

Side Unilateral Bilateral

The size chosen depends on the patient's weight and conditions of use. The 17AD100 Nexgear Tango can be equipped with up to two modules. Please enter the required quantity in the field provided.



1 Joint Body

<input type="text"/>	pc(s) 17AD100=10	<input type="text"/>	pc(s) 17AD100=10-T
<input type="text"/>	pc(s) 17AD100=12	<input type="text"/>	pc(s) 17AD100=12-T
<input type="text"/>	pc(s) 17AD100=14	<input type="text"/>	pc(s) 17AD100=14-T
<input type="text"/>	pc(s) 17AD100=16	<input type="text"/>	pc(s) 17AD100=16-T
<input type="text"/>	pc(s) 17AD100=20	<input type="text"/>	pc(s) 17AD100=20-T

1.1 Dummy*

<input type="text"/>	pc(s) 17AD100A=DY-10
<input type="text"/>	pc(s) 17AD100A=DY-12
<input type="text"/>	pc(s) 17AD100A=DY-14
<input type="text"/>	pc(s) 17AD100A=DY-16
<input type="text"/>	pc(s) 17AD100A=DY-20

*If fabricating on your own, please order the reusable dummy with first-time purchases.

1.2 Mounting Adapter (Specialty tool used to mount modules in joint body)

<input type="text"/>	pc(s) 17AD100A=MA-10	Must be purchased with first-time purchase of 17AD100=10/10-T
<input type="text"/>	pc(s) 17AD100A=MA-12	Must be purchased with first-time purchase of 17AD100=12/12-T
<input type="text"/>	pc(s) 17AD100A=MA-14	Must be purchased with first-time purchase of 17AD100=14/14-T
<input type="text"/>	pc(s) 17AD100A=MA-20	Must be purchased with first-time purchase of 17AD100=16/16-T and 17AD100=20/20-T

2 Lamination Bar

<input type="text"/>	pc(s) 17LS3=10	<input type="text"/>	pc(s) 17LS3=10-T
<input type="text"/>	pc(s) 17LS3=12	<input type="text"/>	pc(s) 17LS3=12-T
<input type="text"/>	pc(s) 17LS3=14	<input type="text"/>	pc(s) 17LS3=14-T
<input type="text"/>	pc(s) 17LS3=16	<input type="text"/>	pc(s) 17LS3=16-T
<input type="text"/>	pc(s) 17LS3=20	<input type="text"/>	pc(s) 17LS3=20-T

3 Stirrup

<input type="text"/>	pc(s) 17SF100=OS-10
<input type="text"/>	pc(s) 17SF100=OS-12
<input type="text"/>	pc(s) 17SF100=OS-14
<input type="text"/>	pc(s) 17SF100=OS-16
<input type="text"/>	pc(s) 17SF100=OS-20

4 Stop Module

<input type="text"/>	pc(s) 17AD100A=AS-10	<input type="text"/>	pc(s) 17AD100A=LS-10
<input type="text"/>	pc(s) 17AD100A=AS-12	<input type="text"/>	pc(s) 17AD100A=LS-12
<input type="text"/>	pc(s) 17AD100A=AS-14	<input type="text"/>	pc(s) 17AD100A=LS-14
<input type="text"/>	pc(s) 17AD100A=AS-16	<input type="text"/>	pc(s) 17AD100A=LS-16
<input type="text"/>	pc(s) 17AD100A=AS-20	<input type="text"/>	pc(s) 17AD100A=LS-20

5 Spring Module

<input type="text"/>	pc(s) 17AD100A=AS-10	<input type="text"/>	pc(s) 17AD100A=LS-10
<input type="text"/>	pc(s) 17AD100A=AS-12	<input type="text"/>	pc(s) 17AD100A=LS-12
<input type="text"/>	pc(s) 17AD100A=AS-14	<input type="text"/>	pc(s) 17AD100A=LS-14
<input type="text"/>	pc(s) 17AD100A=AS-16	<input type="text"/>	pc(s) 17AD100A=LS-16
<input type="text"/>	pc(s) 17AD100A=AS-20	<input type="text"/>	pc(s) 17AD100A=LS-20

6 Reaction Module

<input type="text"/>	pc(s) 17AD100A=HS-10
<input type="text"/>	pc(s) 17AD100A=HS-12
<input type="text"/>	pc(s) 17AD100A=HS-14
<input type="text"/>	pc(s) 17AD100A=HS-16
<input type="text"/>	pc(s) 17AD100A=HS-20

6A Reaction Spring Strong

<input type="text"/>	pc(s) 17AD100A=HS-12-1
<input type="text"/>	pc(s) 17AD100A=HS-14-1
<input type="text"/>	pc(s) 17AD100A=HS-20-1

6B Reaction Spring Extra Strong

<input type="text"/>	pc(s) 17AD100A=HS-12-2
<input type="text"/>	pc(s) 17AD100A=HS-14-2
<input type="text"/>	pc(s) 17AD100A=HS-20-2

Note: If fabricating Ottobock bars and joints for the first-time, you will need to order the corresponding adjustment adapter and adapter sleeves.